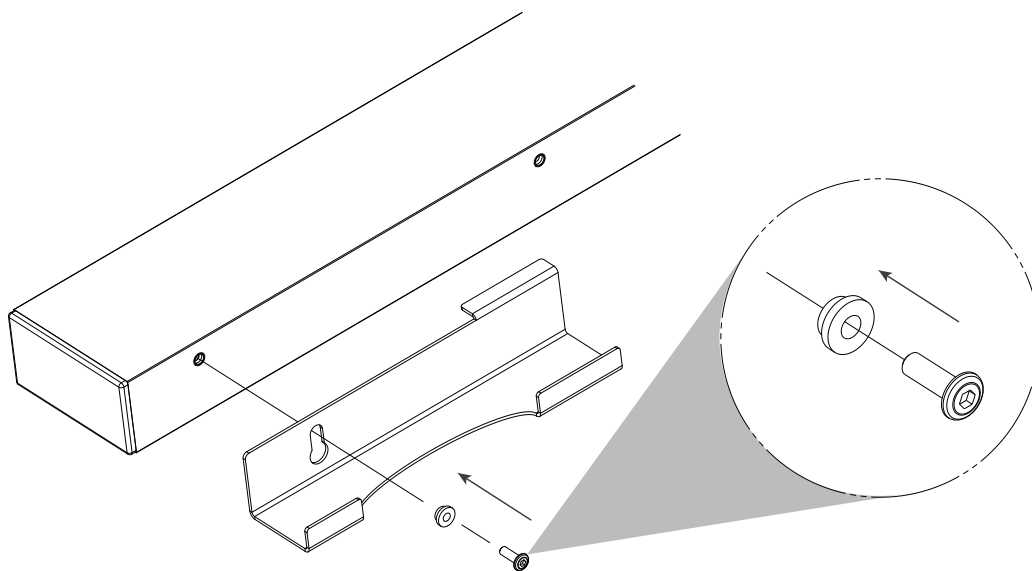


B3 MICROPHONE HOLDER

INSTRUCTION MANUAL

humpter®
ENGINEERED TO PERFECTION

1



2

