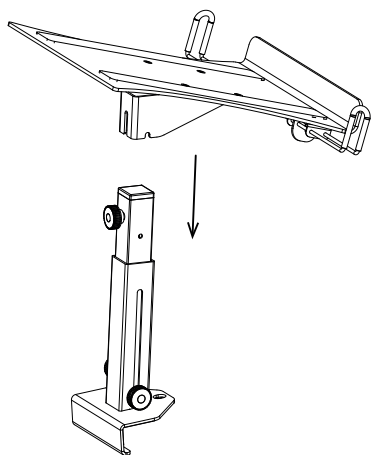


# B3 MID STAND

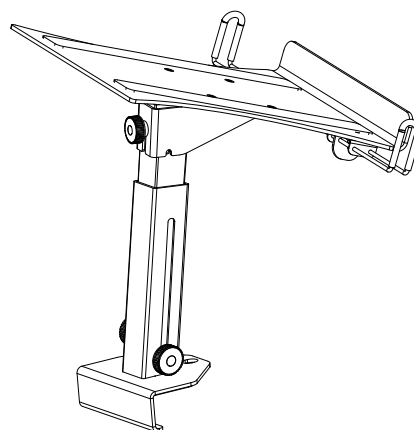
## INSTRUCTION MANUAL

humpter®  
ENGINEERED TO PERFECTION

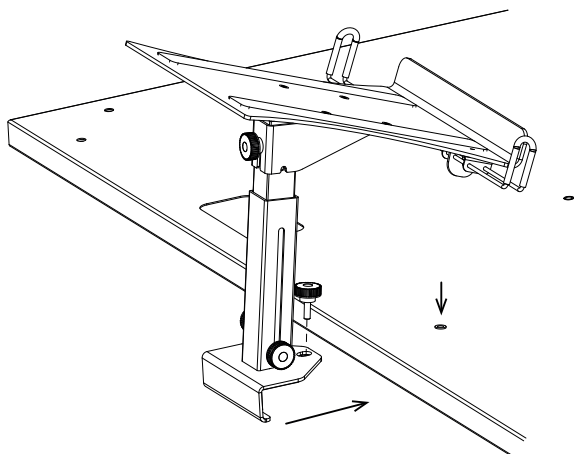
1



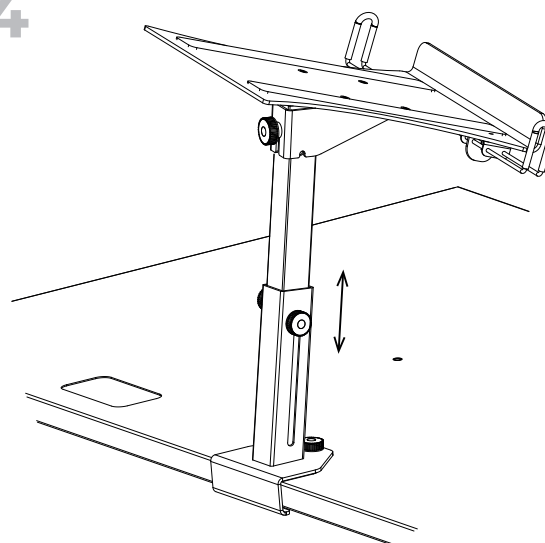
2



3



4



4 x 