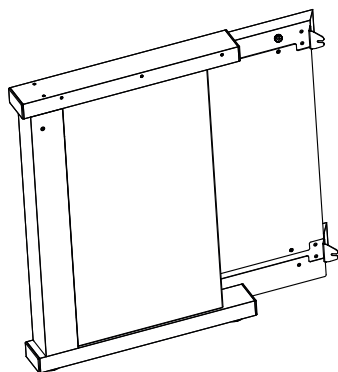


# B3 PLUS PACK

humpter®  
ENGINEERED TO PERFECTION

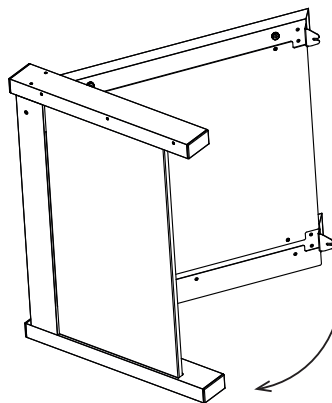
## INSTRUCTION MANUAL

1

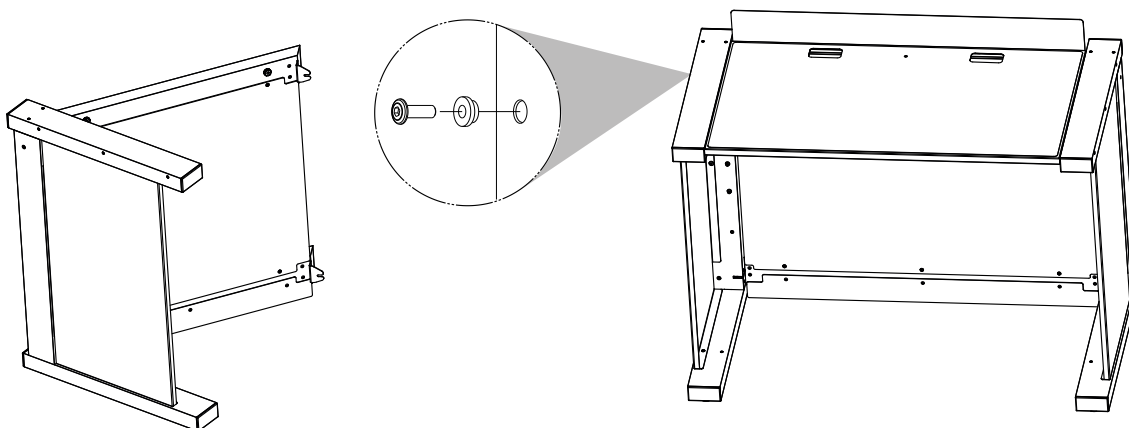


LEFT SIDE

2



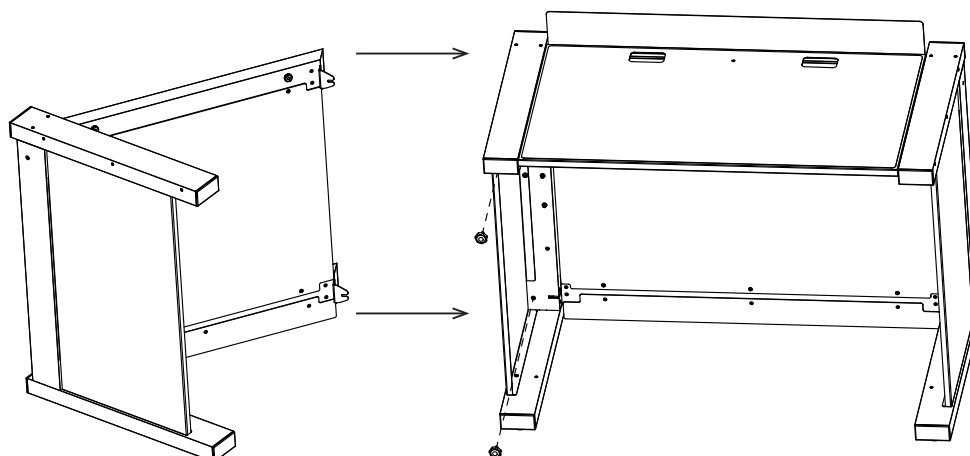
3



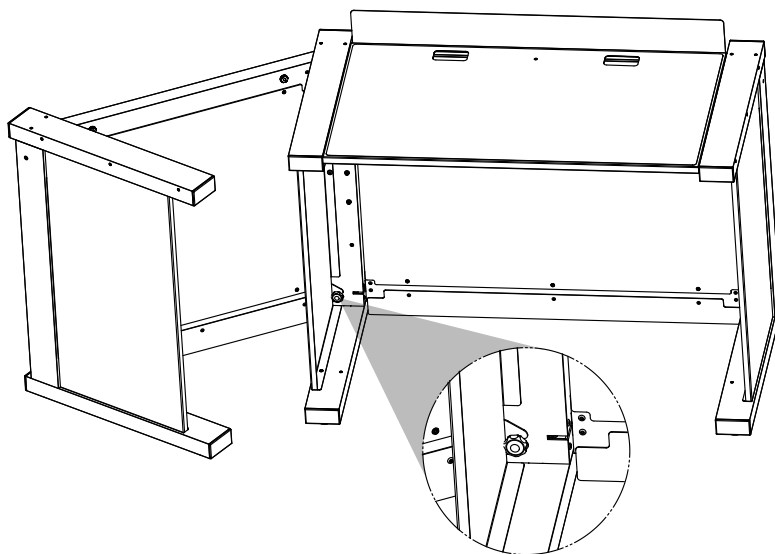
LEFT SIDE

B3

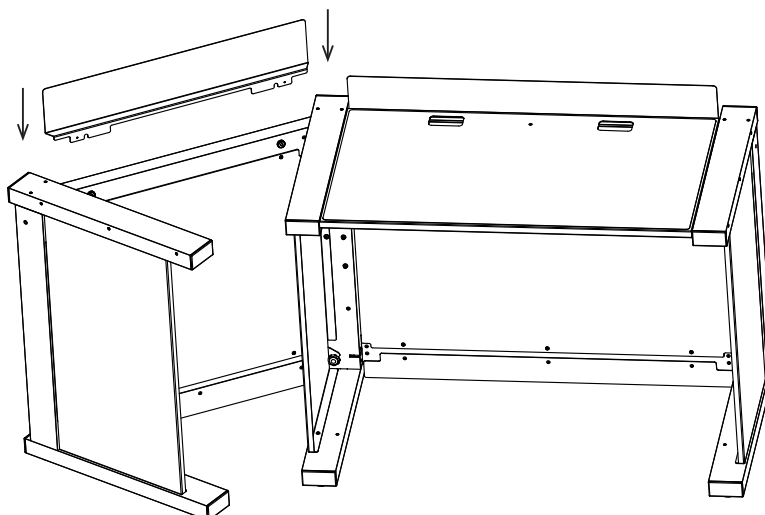
4



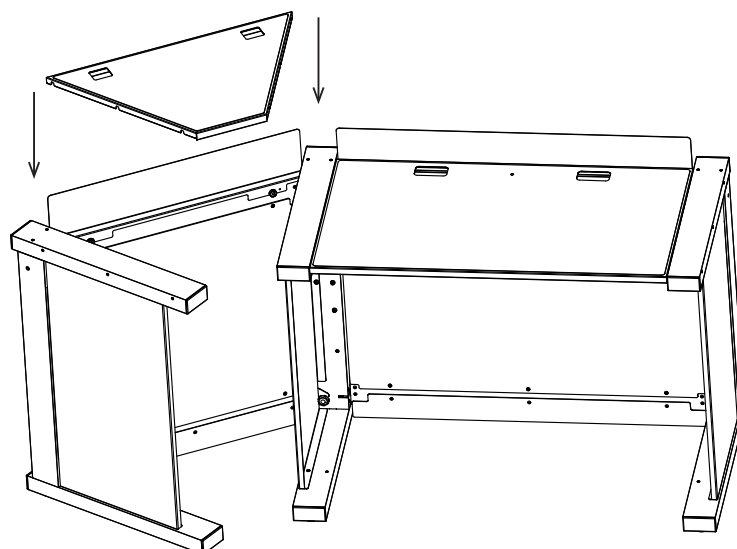
5



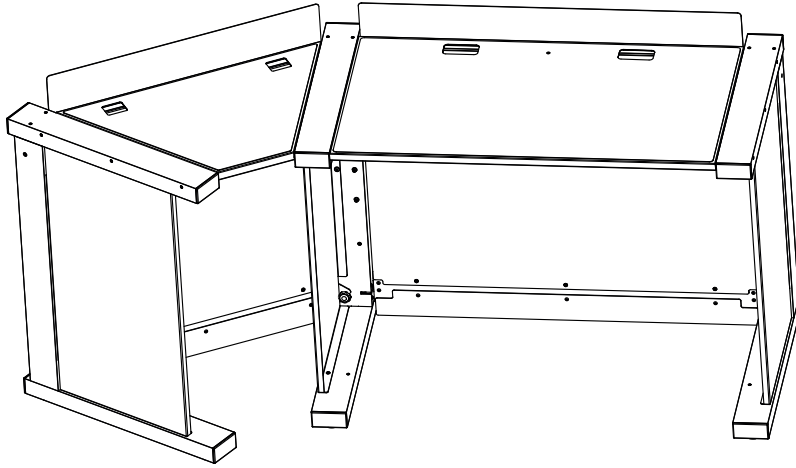
6



7

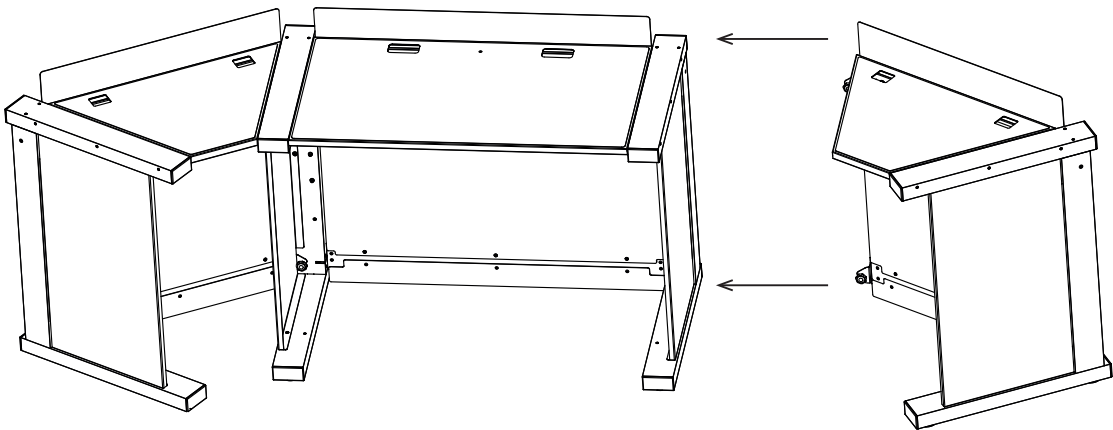


8

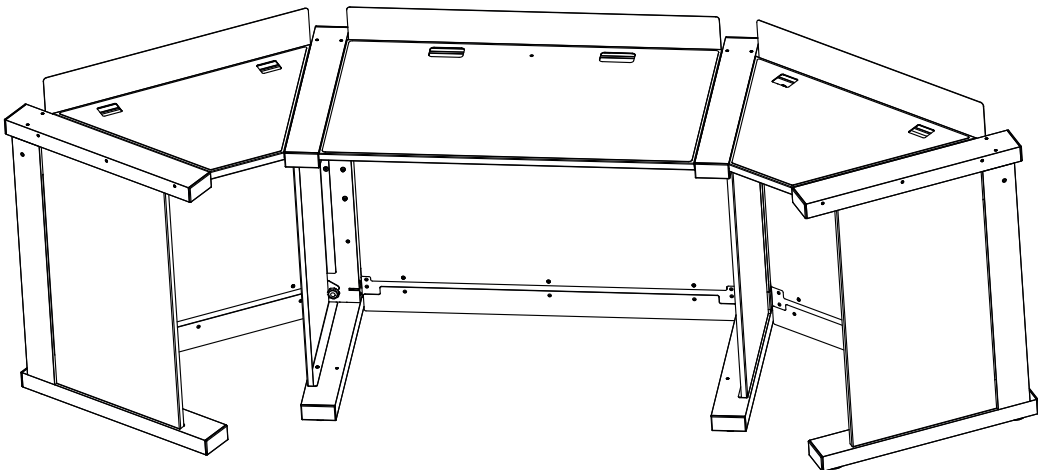


REPEAT STEPS 1-6 WITH THE RIGHT SIDE

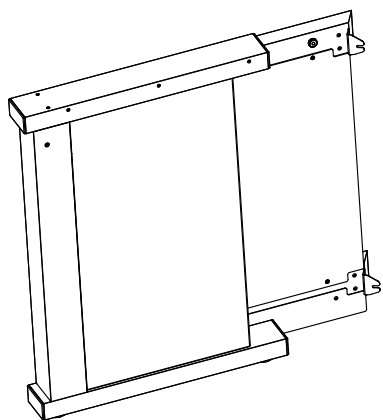
9



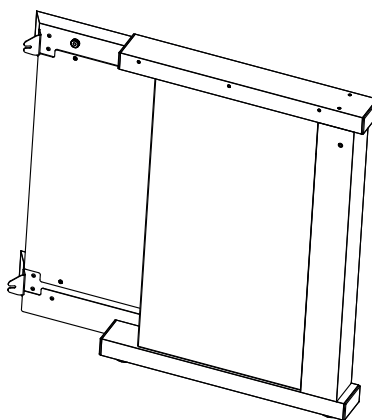
10



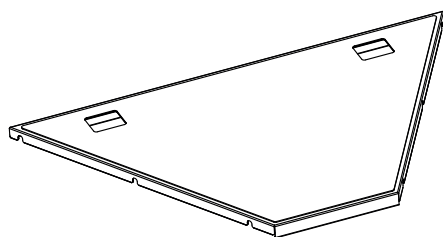
1 x LEFT SIDE



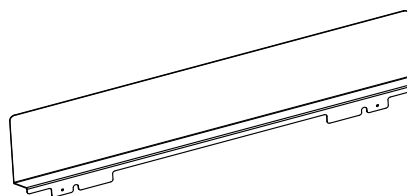
1 x RIGHT SIDE



2 x



2 x



6 x

6 x M5 screw

1 x

5 x M6 knob

