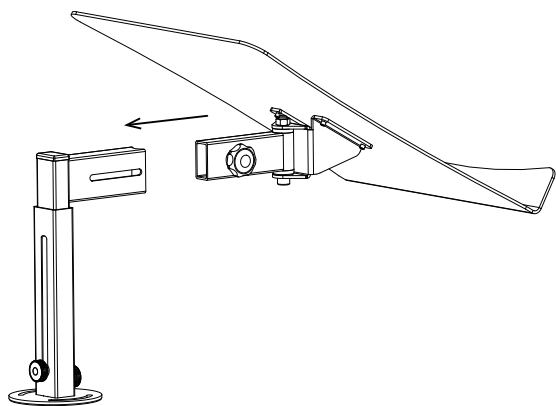


# B3 PLAYER STAND

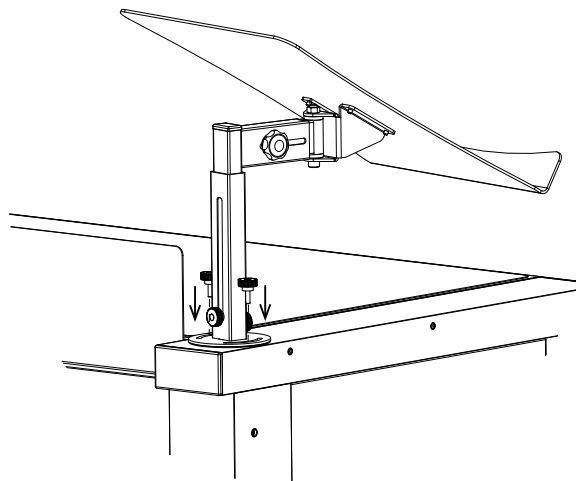
## INSTRUCTION MANUAL

humpter®  
ENGINEERED TO PERFECTION

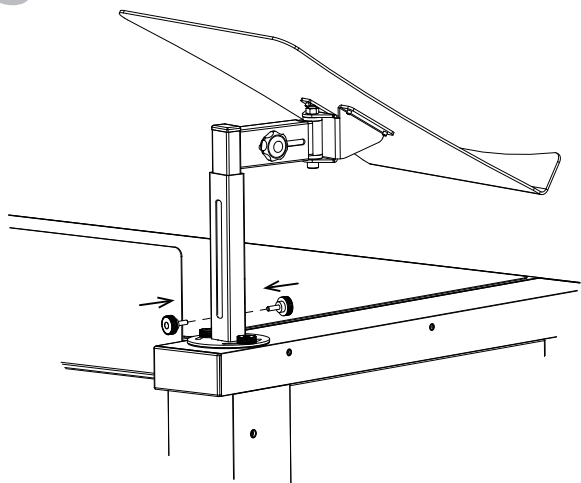
1



2



3



4

