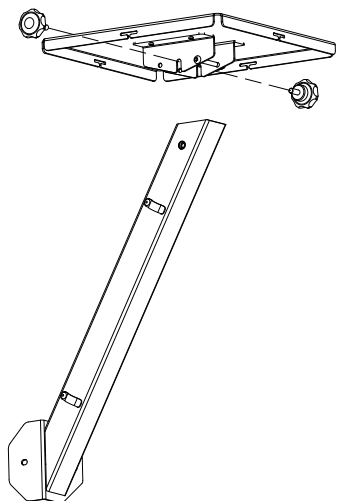


# B3 SIDE SHELVES

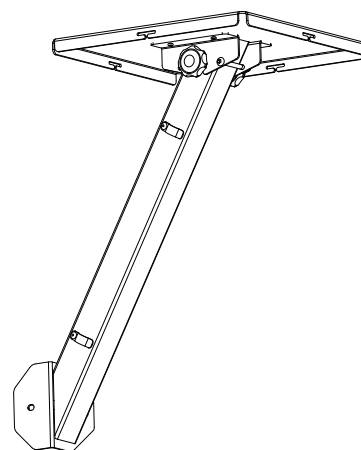
## INSTRUCTION MANUAL

humpter®  
ENGINEERED TO PERFECTION

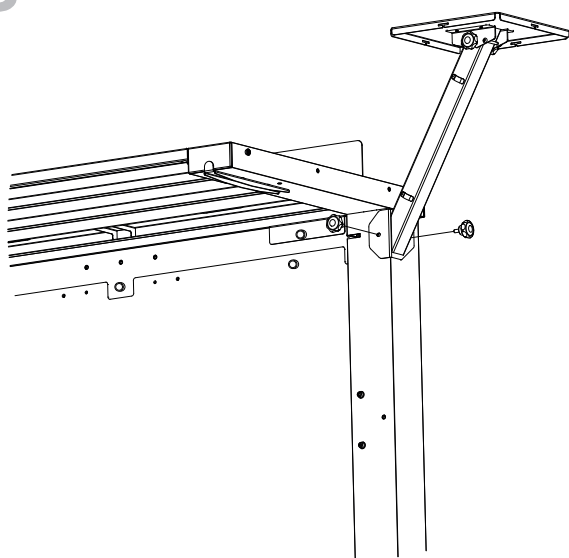
1



2



3



4

