


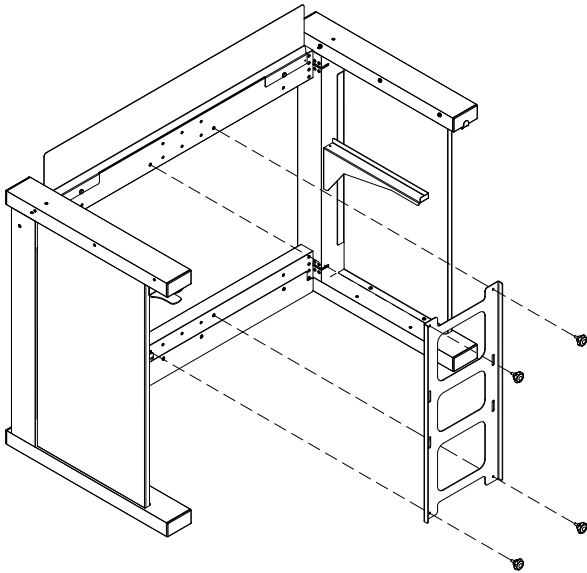
B3 TV MOUNT KIT

INSTRUCTION MANUAL

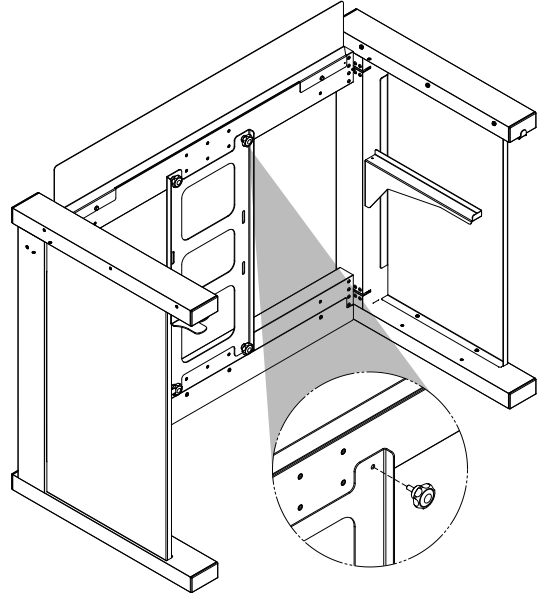
humpter®
ENGINEERED TO PERFECTION

1

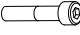

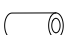

A 4 x 

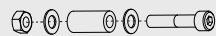
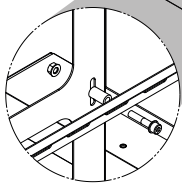
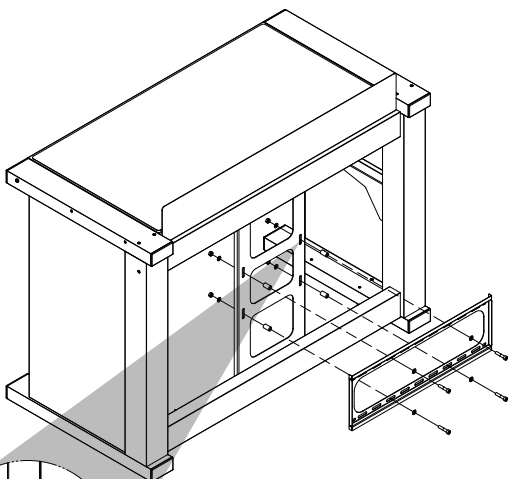


2



3

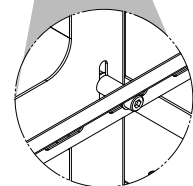
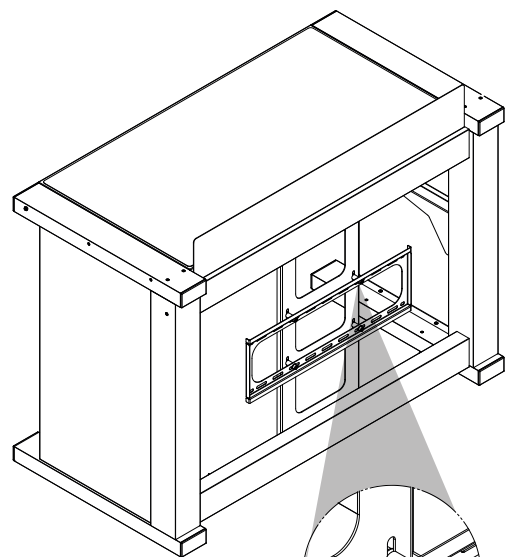
B 4 x  4 x 
4 x  8 x 






Socket wrench and ring wrench needed!

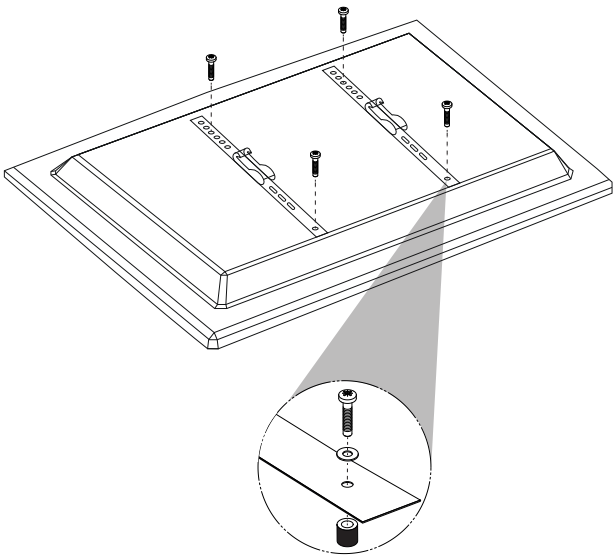


4

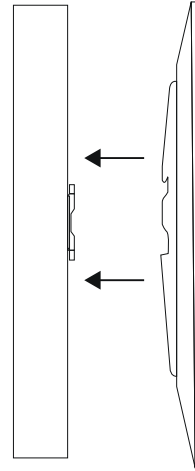


5

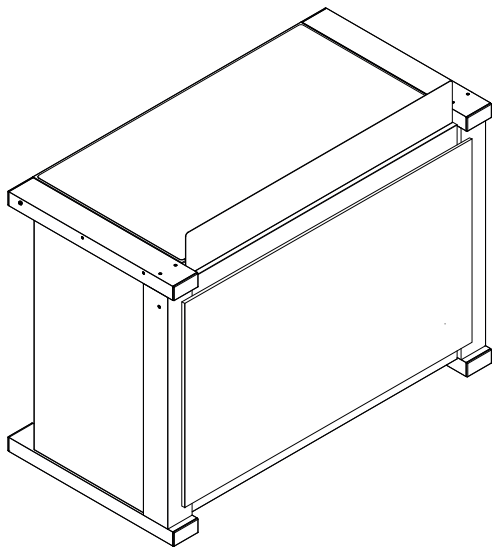
- C / F** 4 x  / 
- D / E** 4 x  / 
- G** 4 x 



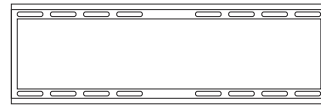
6



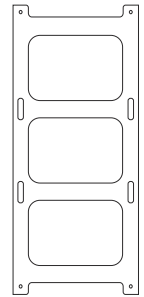
7


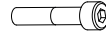




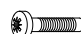
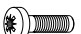



1 x



1 x



- A** 4 x 
- B** 4 x 
- 4 x 
- 4 x 
- 8 x 
- C** 4 x 
- D** 4 x 
- E** 4 x 
- F** 4 x 
- G** 4 x 