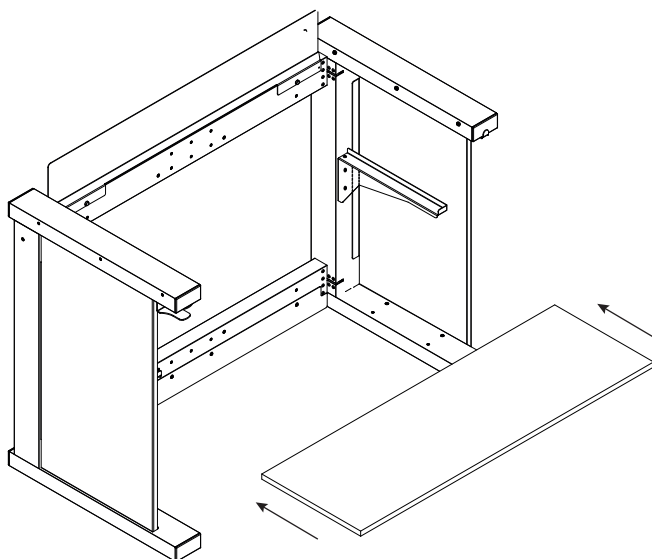


B3 UNDER COUNTER SHELF

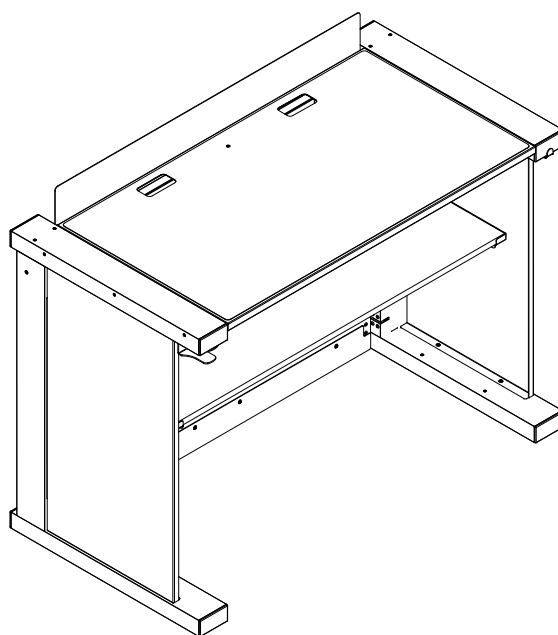
INSTRUCTION MANUAL

humpter®
ENGINEERED TO PERFECTION

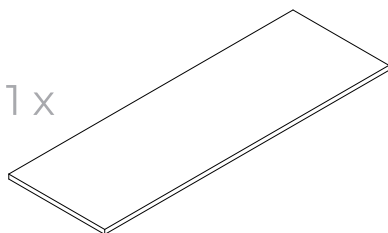
1



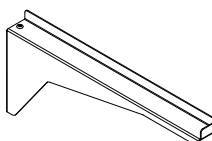
2



1 x



2 x



4 x

