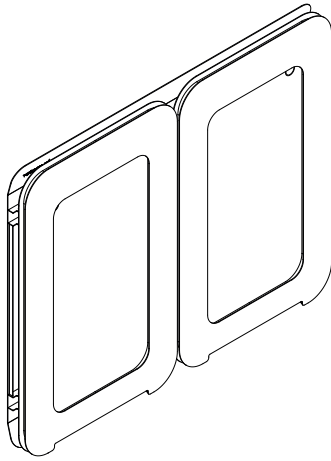


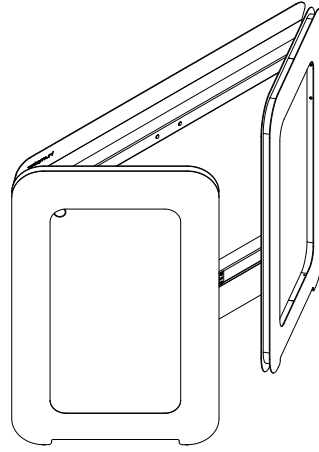
CUBE INSTRUCTION MANUAL

humpter®
ENGINEERED TO PERFECTION

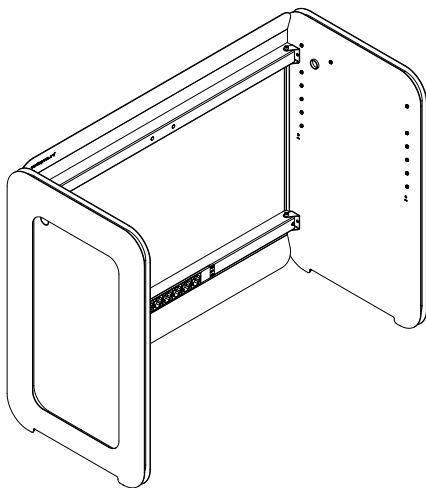
1



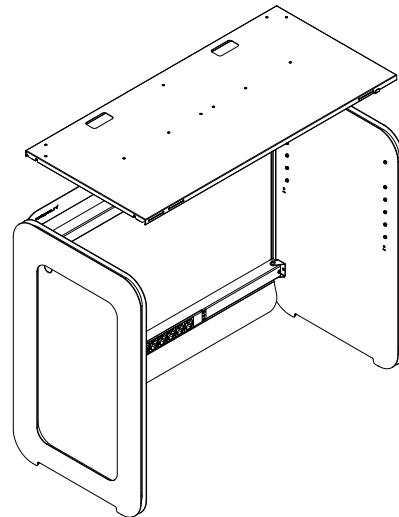
2



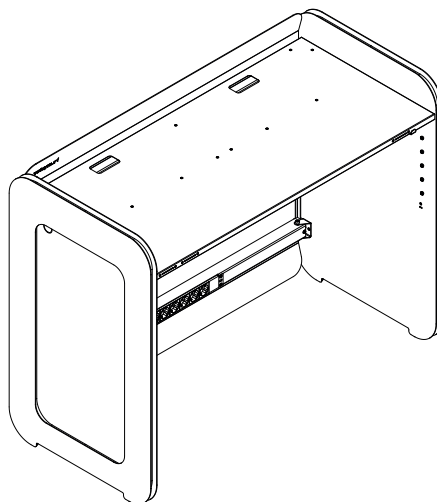
3

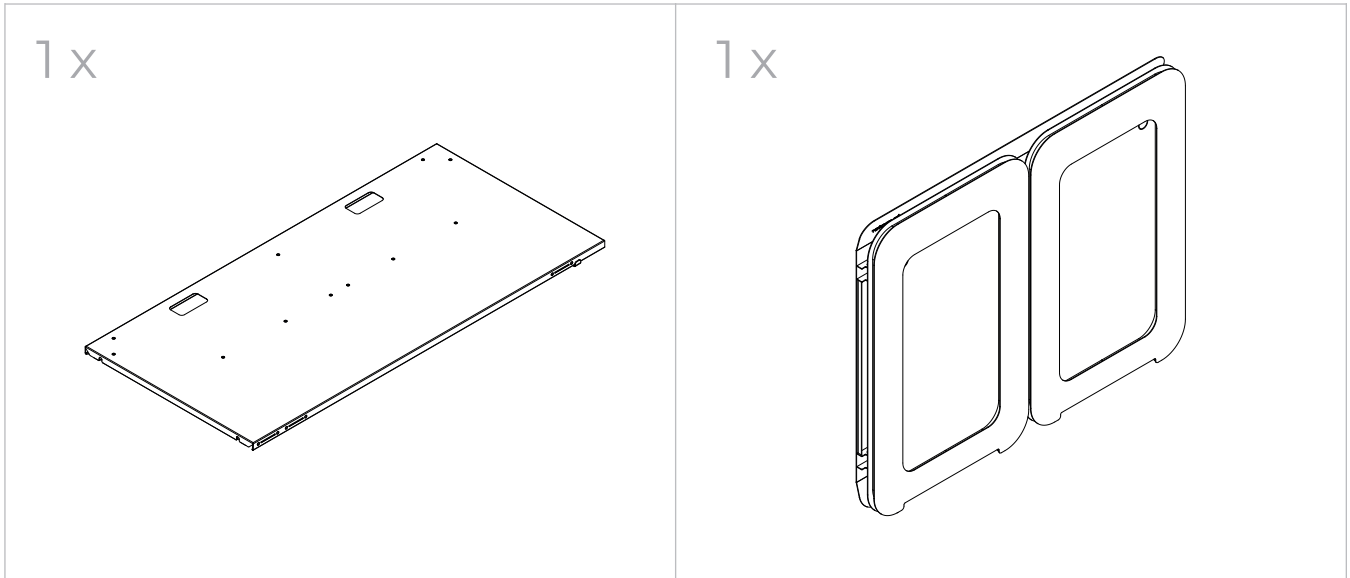


4



5





- We inform that the table has to be used for its intended purpose.
- Do not stand on it. Do not place the table in places with high air humidity.
- Proper use will ensure long and trouble-free exploitation.
- To clean the console use non-scratching cleaning supplies available on the market.
- The maximum load of the console is 70 kg. For maximum stability the console should be leveled with the help of four adjustable legs.
- Repair or replacement of components can be done only by trained personnel or in the Humpter authorized service point.
- Information about warranty, post-warranty service and Humpter products can be found on www.humpter.com.