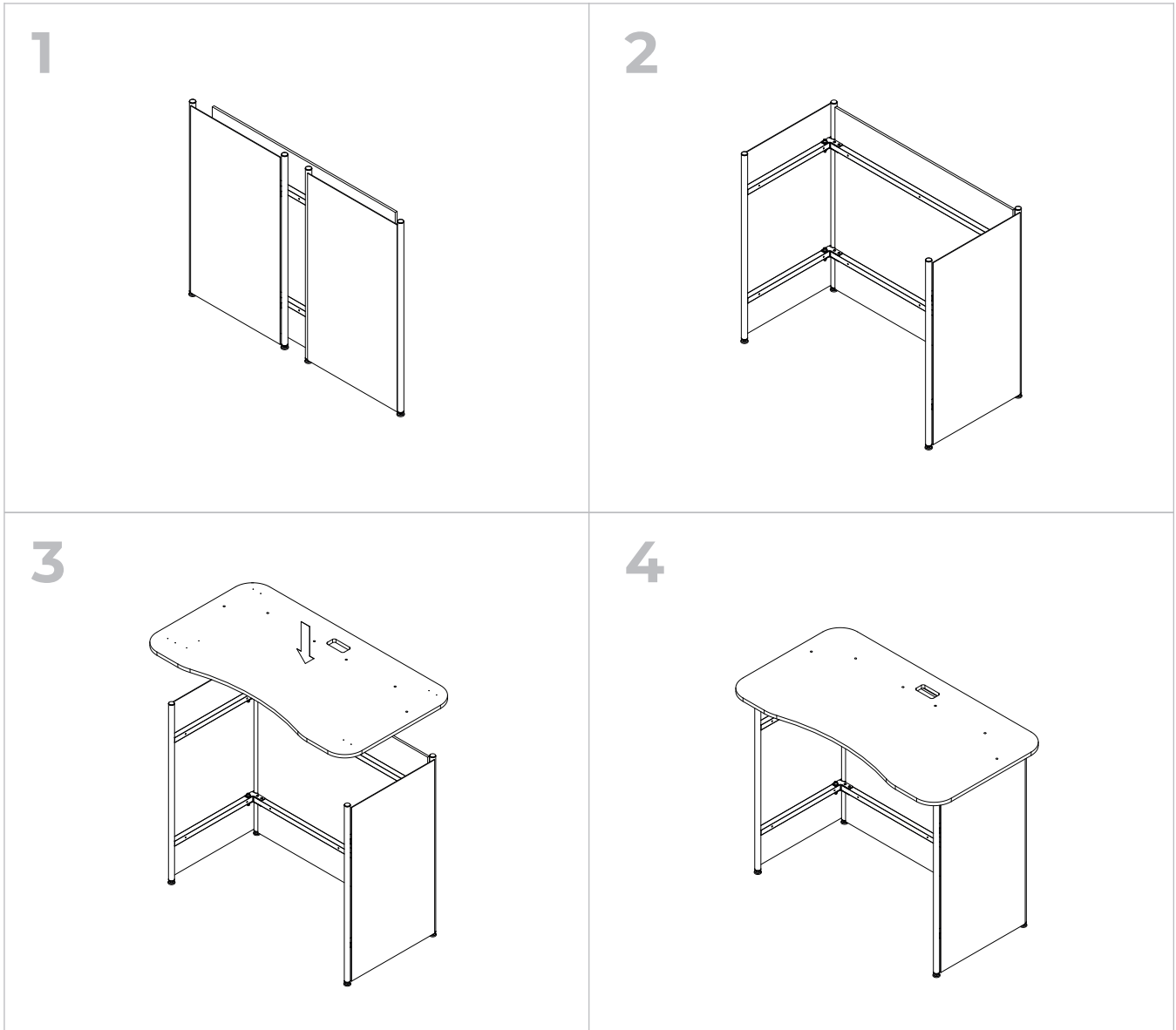


MOVE BL / WD

humpter®
ENGINEERED TO PERFECTION

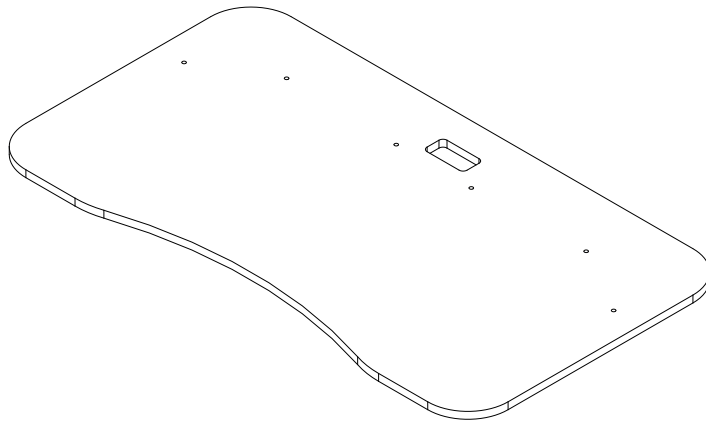
INSTRUCTION MANUAL



- We inform that the console has to be used for its intended purpose.
- Do not stand on it. Do not place the console in places with high air humidity.
- Proper use will ensure long and trouble-free exploitation.
- To clean the console use non-scratching cleaning supplies available on the market.
- The maximum load of the console is 70 kg. For maximum stability the console should be leveled with the help of four adjustable legs.
- Repair or replacement of components can be done only by trained personnel or in the Humpter authorized service point.
- Information about warranty, post-warranty service and Humpter products can be found on www.humpter.com.

Humpter® MOVE WD / BL is made according to industrial design No. 003006840-0002, filed with the Office for Harmonization in the Internal Market (EUIPO) in Alicante. The area of patent is the entire territory of the European Union.

x1



x1

