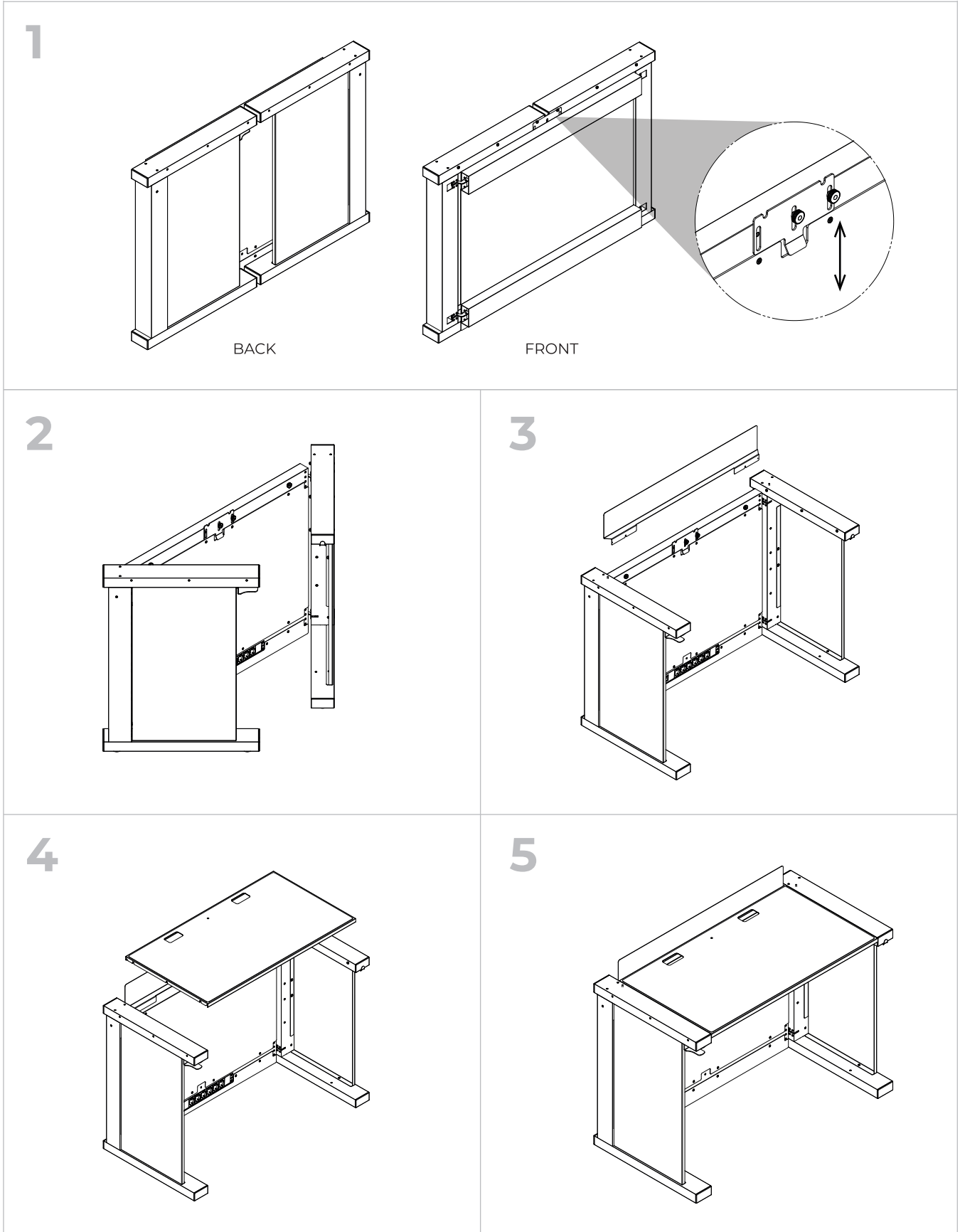
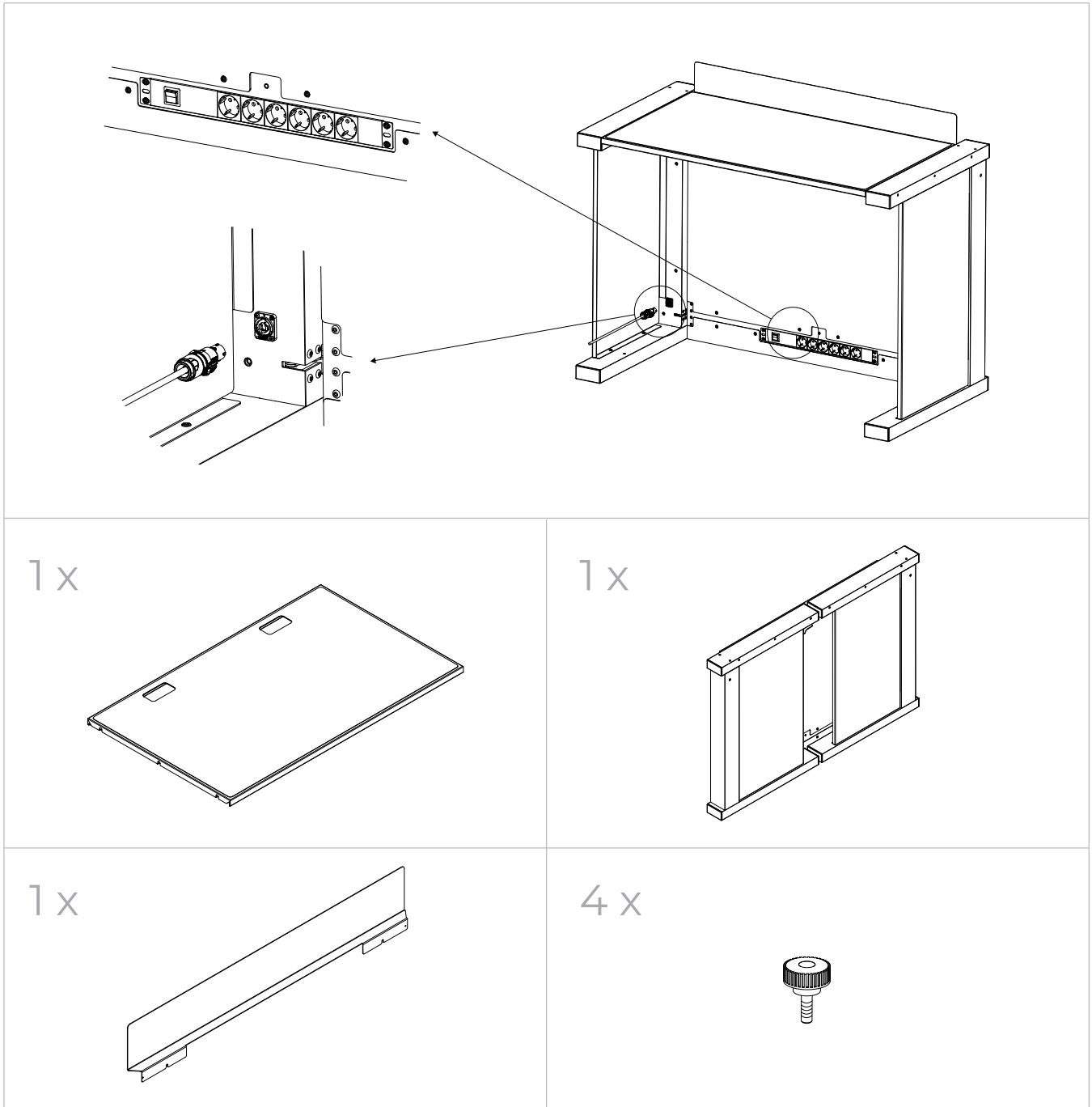


B3 mk2

INSTRUCTION MANUAL





- Proper use of the Humpter B3 will ensure reliable, long-lasting performance.
- The maximum load capacity of the Humpter B3 is 70 kg. It will support any reasonable combination of DJ equipment, but it will NOT support your body. Avoid injury - do NOT sit, stand, jump, dance etc. on it.
- For optimal stability, always make sure the Humpter B3 is level using the four adjustable legs. To maintain structural integrity over time, avoid placing or storing it in areas with high environmental humidity.
- To clean the Humpter B3, use only non-abrasive cleaning products such as soft microfiber cloth. Avoid solvent chemicals and other substances which could damage the paint.
- Any repairs or component replacements should only be performed by qualified technicians or an authorized Humpter service center. If you're not sure about any of the above, get in touch with us or reach out to your local distributor.
- For information about warranty coverage, post-warranty service, customisation and other Humpter products, please visit www.humpter.com
- This product was designed under industrial project ID 003496009-0001, registered with the European Union Intellectual Property Office (EUIPO) in Alicante. The design is legally protected.